

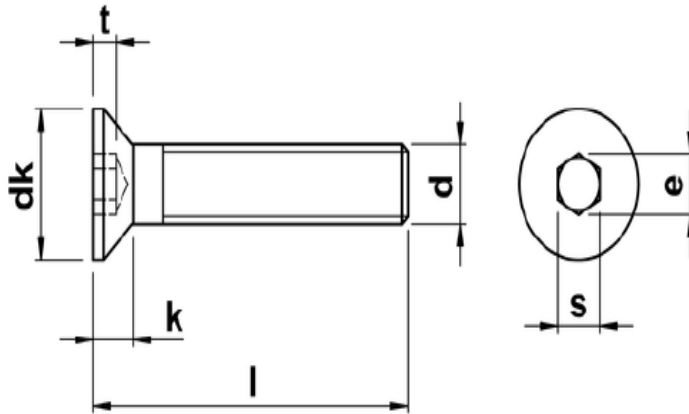
# Shenzhen Bede Mold CO.,Ltd



Factory Address: 98 Industrial Area, Zhongxin Rd., Xinqiao Street, Bao'an District, Shenzhen, China  
Office Phone: +8675527084976 Mobile: +8615989309421 Email: kerrykim@szbede.com contact: kerry kim

## Socket Head Countersunk Screws ISO 10642 (DIN 7991)

A countersunk headed screw conforming with ISO 10642 or DIN 7991, requiring a hex key (otherwise known as an Allen key) to fit. The countersunk head is typically used in conjunction with a countersunk hole providing a flush, snag free fit. Generally manufactured with a full thread, though occasionally some stock may include a partially threaded shank. The head diameter is slightly larger than that of the equivalent DIN 965 Phillips or Pozi driven screw.



d	dk	k	s	b	t	e	p
M2.5	4.7	1.50	1.5	-	-	-	-
M3	6	1.7	2.0	12	1.2	2.30	0.50
M4	8	2.3	2.5	14	1.8	2.87	0.70
M5	10	2.8	3.0	16	2.3	3.44	0.80
M6	12	3.3	4.0	18	2.5	4.58	1.00
M8	16	4.4	5.0	22	3.5	5.72	1.25
M10	20	5.5	6.0	26	4.4	6.86	1.50
M12	24	6.5	8.0	30	4.6	9.15	1.75
M16	30	7.5	10.0	38	5.3	11.43	2.00
M20	36	8.5	12.0	46	5.9	13.72	2.50
M24	39	14.0	14.0	54	10.3	16.00	3.00

Contact: whatsapp +8615915396878  
Email kerrykim@szbede.com  
website: www.precisionmoldcomponents.com

